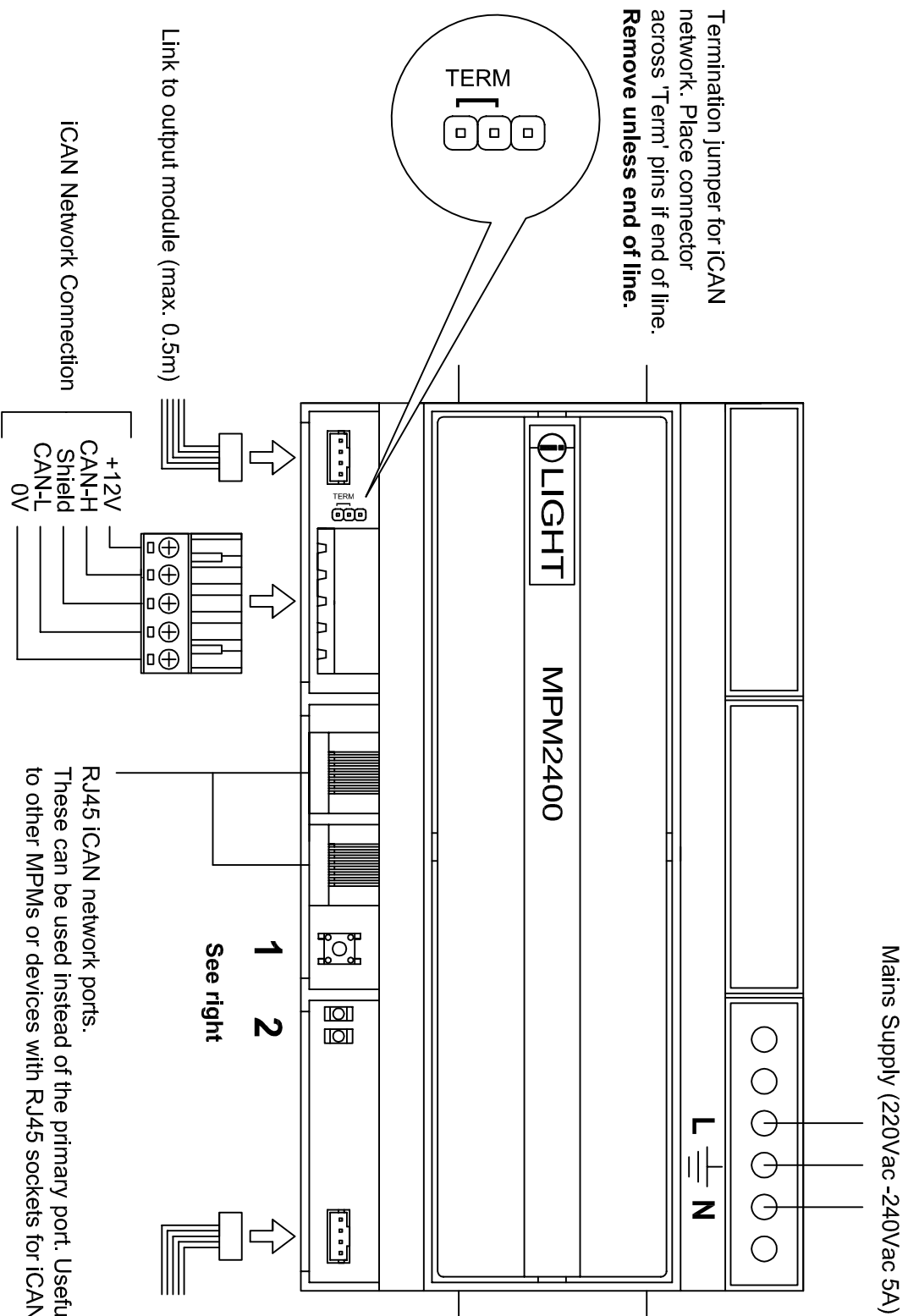


MPM2400 Din Rail Master Processor Module

Connection Schematic

V2.0 16/12/15



Mains Supply (220Vac -240Vac 5A)

1.

IDENT button: You can place the MPM unit into override mode by pressing and holding this button until the two status LEDs are flashing together. Then release and press once more to turn all module outputs on. Reset power to the unit to take it back to standard mode. On individual modules this button will reset and ping the module for identification by the MPM.

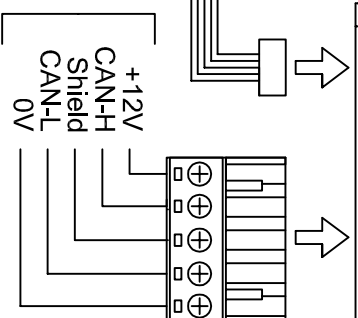
2.

Status LEDs: Normal operation will have a slow flashing green LED. The red LED will blink whenever data is sent on the network. Solid red LED indicates communication error.

1 2
See right

Link to output module (max. 0.5m)

iCAN Network Connection



RJ45 iCAN network ports.
These can be used instead of the primary port. Useful if connecting to other MPMs or devices with RJ45 sockets for iCAN network.

Drawing for illustrative purposes only

Items depicted may not be to scale. Information provided through these drawings may be subject to alteration without prior notice. A digital copy of this drawing can be found at the iLight Technical Support website: www.ilight.info

Eaton Lighting Systems

20 Greenhill Crescent, Watford Business Park,
Watford, Hertfordshire, WD18 8JA, UK
T: +44 (0)1923 495495 F: +44 (0)1923 228796
E: enquiries@ilight.co.uk www.ilight.co.uk