

AXCS01SRJ Combined Movement / Daylight Sensor

Connection to UIS Sensor Interface

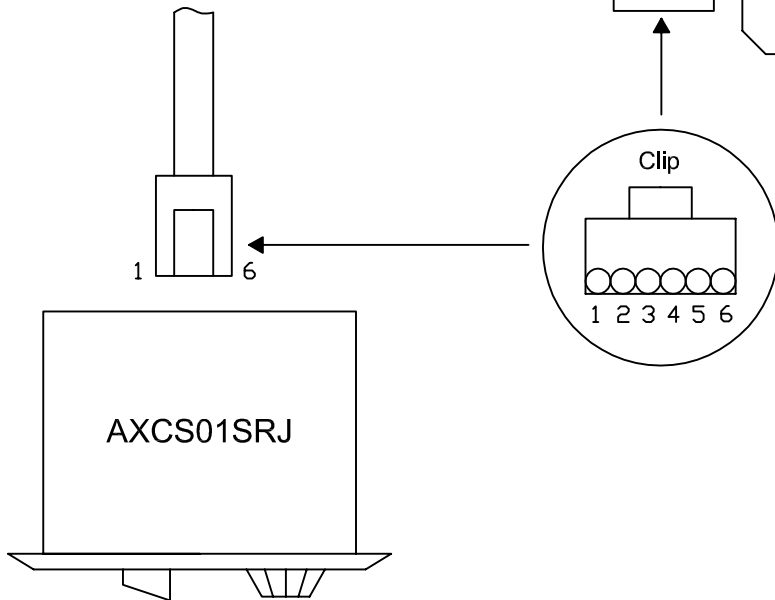


v2 16/10/15

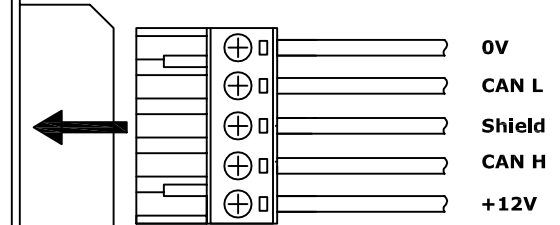
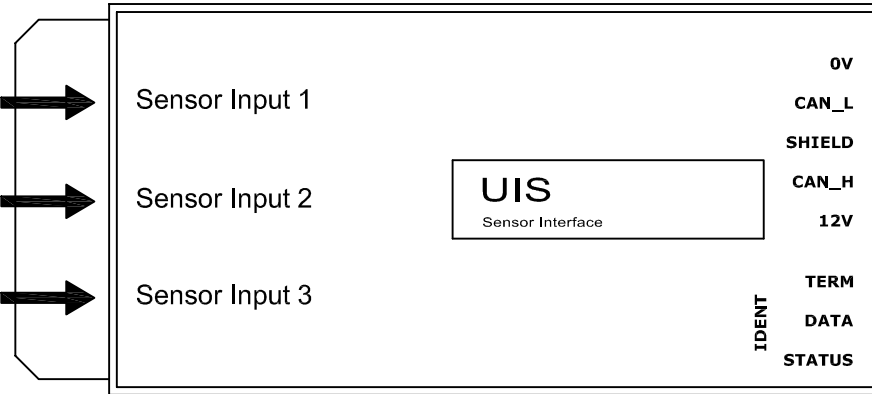
6-core cable with RJ12 connector required

Max. distance from AXCS01SRJ to UIS = 30m

Up to 3 sensors can be coupled together to a single input to operate as a group



UIS - Sensor Interface



iCAN Network Connections

| Connections | | |
|-------------|-------------|-----------------|
| RJ12 Pin | RJ12 Colour | Function |
| 1 | Blue | +12V |
| 2 | Yellow | 0V |
| 3 | Green | Not used |
| 4 | Red | Light Sensor |
| 5 | Black | Not used |
| 6 | White | Movement Sensor |

Drawing for illustrative purposes only

Items depicted may not be to scale. Information provided through these drawings may be subject to alteration without prior notice. A digital copy of this drawing can be found at the iLight Technical Support website: www.ilight.info

Eaton Lighting Systems

20 Greenhill Crescent, Watford Business Park, Watford, Hertfordshire, WD18 8JA, UK
 T: +44 (0)1923 495495 F: +44 (0)1923 228796
 E: enquiries@ilight.co.uk www.ilight.co.uk

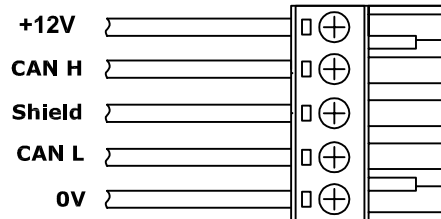
AXCS01SRJ Combined Movement / Daylight Sensor

Connection to UIG-2 Universal Interface

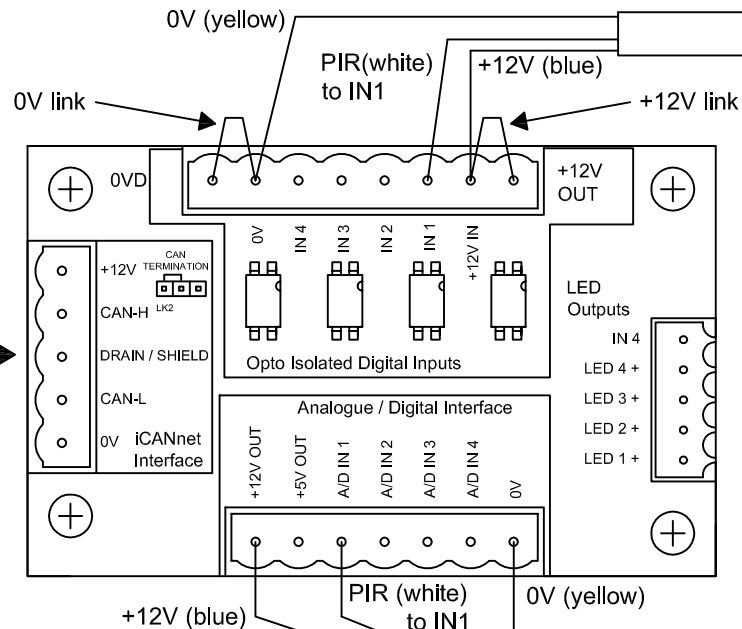
v2 16/10/15



iCAN Network Connections



Opto-Isolated and/or Analogue/Digital inputs can be used. Opto-Isolated inputs must have +12V and 0V linked across if sensor to be powered by iCAN

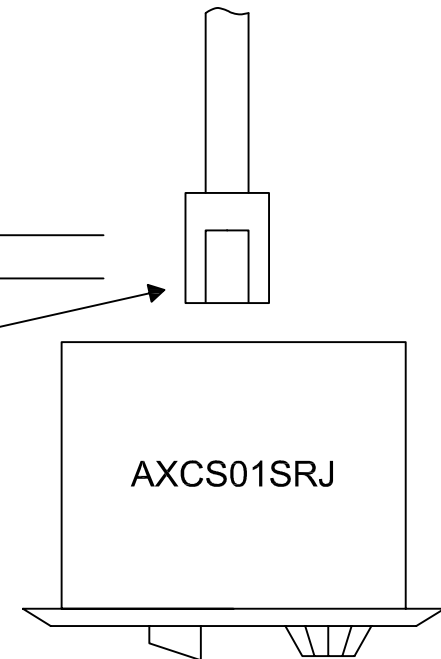
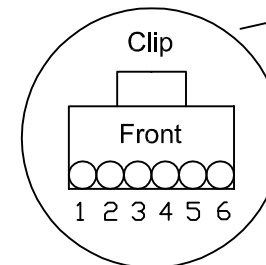


6-core cable with RJ12 connector required

Max. distance from AXCS01SRJ to UIG-2 = 30m

NOTE: Light Sensor input not compatible with UIG-2

| Connections | | |
|-------------|-------------|--------------------|
| RJ12 Pin | RJ12 Colour | Function |
| 1 | Blue | +12V |
| 2 | Yellow | 0V |
| 3 | Green | Not used |
| 4 | Red | Light Sensor (N/A) |
| 5 | Black | Not used |
| 6 | White | Movement Sensor |



Drawing for illustrative purposes only

Items depicted may not be to scale. Information provided through these drawings may be subject to alteration without prior notice. A digital copy of this drawing can be found at the iLight Technical Support website: www.ilight.info

Eaton Lighting Systems

20 Greenhill Crescent, Watford Business Park,
Watford, Hertfordshire, WD18 8JA, UK
T: +44 (0)1923 495495 F: +44 (0)1923 228796
E: enquiries@ilight.co.uk www.ilight.co.uk

AXCS01SRJ Combined Movement / Daylight Sensor

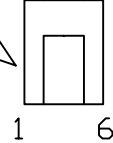
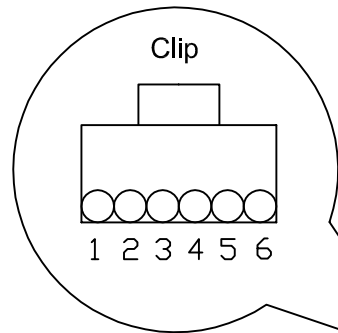
Connection to UIM Mini Universal Interface

v4 16/10/15



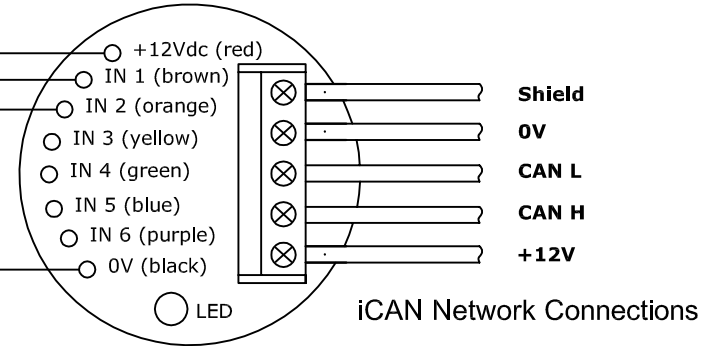
UIM - Mini Universal Interface

6-core cable with RJ12 connector required



AXCS01SRJ

Max. distance of AXCS01SRJ to UIM = 15m



| Connections | | | |
|-------------|-------------|-----------------|-----------------|
| RJ12 Pin | RJ12 Colour | Function | UIM Wire Colour |
| 1 | Blue | +12V | Red |
| 2 | Yellow | 0V | Black |
| 3 | Green | Not used | - |
| 4 | Red | Light Sensor | Brown (IN 1)* |
| 5 | Black | Not used | - |
| 6 | White | Movement Sensor | Yellow (IN 2)* |

*Remaining UIM inputs can be used for additional sensors or other purposes.

Drawing for illustrative purposes only

Items depicted may not be to scale. Information provided through these drawings may be subject to alteration without prior notice. A digital copy of this drawing can be found at the iLight Technical Support website: www.ilight.info

Eaton Lighting Systems

20 Greenhill Crescent, Watford Business Park,
Watford, Hertfordshire, WD18 8JA, UK
T: +44 (0)1923 495495 F: +44 (0)1923 228796
E: enquiries@ilight.co.uk www.ilight.co.uk

AXCS01SRJ Combined Movement / Daylight Sensor

Connection to RI-2 Relay Interface / SCD96 DMX Source Controller

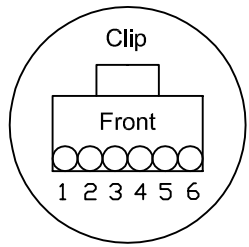
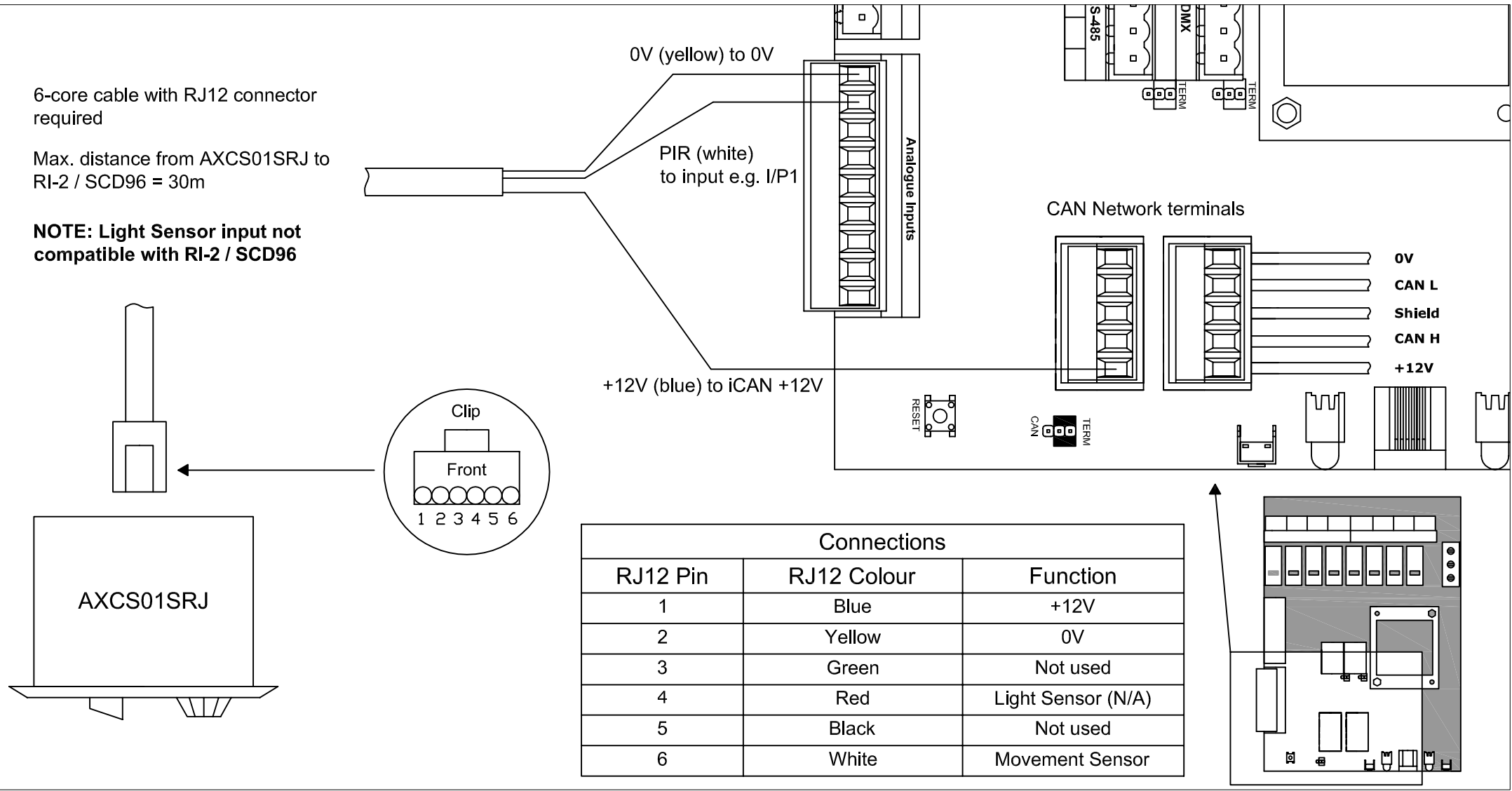


v2 16/10/15

6-core cable with RJ12 connector required

Max. distance from AXCS01SRJ to RI-2 / SCD96 = 30m

NOTE: Light Sensor input not compatible with RI-2 / SCD96



| Connections | | |
|-------------|-------------|--------------------|
| RJ12 Pin | RJ12 Colour | Function |
| 1 | Blue | +12V |
| 2 | Yellow | 0V |
| 3 | Green | Not used |
| 4 | Red | Light Sensor (N/A) |
| 5 | Black | Not used |
| 6 | White | Movement Sensor |